

Painting in the Snow

Materials

Snowy day • empty spray bottles • water • food coloring

What to do

1. Ask the children what color snow is.
2. After everyone yells white, ask if they have ever seen blue snow. What about red snow, or green?
3. Provide each child with an empty spray bottle. (Or, ask them to bring one in from home.)
4. Let each child choose what color she wants her snow to be. Mix water and food coloring for each bottle.
5. Have the children bundle up and go out to “paint” the snow. Challenge them to spray a circle, a square, or their names.

★ Sandra Hutchins Lucas, Cox’s Creek, KY

Red String Maze

Materials

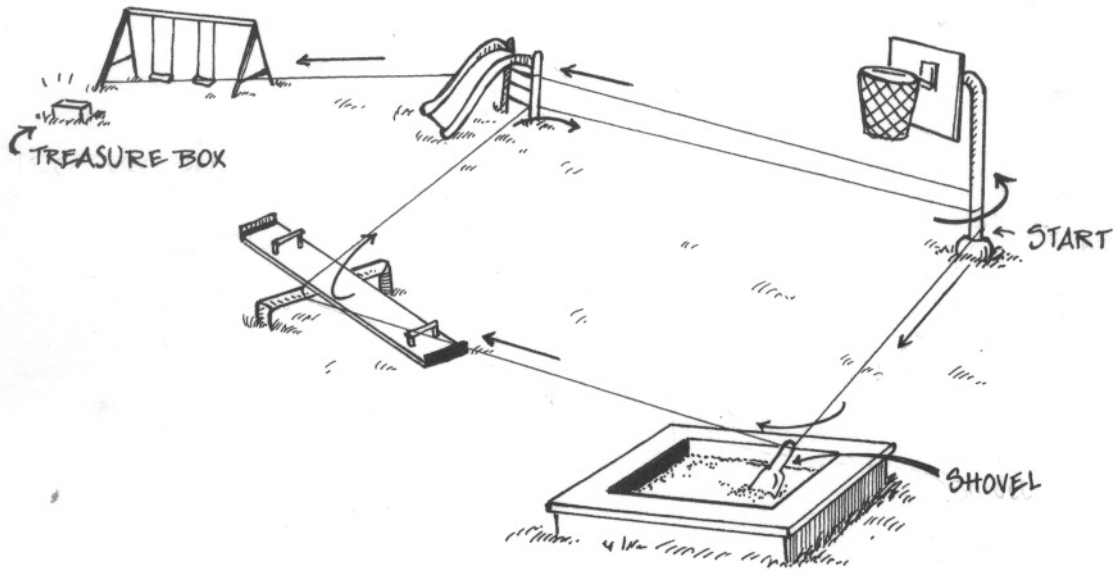
Ball of red string • playground equipment • *The Red String* by Margot Blair • 1’ lengths of red string, one per child • box

What to do

1. Prepare the playground ahead of the activity by winding the red string over, under, and around the equipment. Place a box filled with pieces of red string at the end of the obstacle course.
2. Read the story to the children.
3. Invite the children to begin the obstacle course one at a time. Tell the children to keep one hand on the string at all times until they reach the “treasure box.”
4. Stand by the treasure box and tie the “prize” (the red string) on each child’s right wrist.
5. After all the children have finished the course, enjoy a game of Simon Says. Emphasize the concept of right and left.

OUTDOOR PLAY

6. If desired, create an indoor obstacle course. Construct a 4' x 4' x 6' cube from PVC pipe and connectors. Wind the string spider-web style throughout the box. Each child may either crawl through the box without the string touching her, or may unravel the string with coaching from a team of three friends.



★ Susan R. Forbes, Daytona Beach, FL

Good Luck Pet Rocks

Materials

Rocks • paint • paintbrushes • moveable eyes, feathers, rickrack, and other decorating items • glue

What to do

1. Take the children on a walk outdoors. Encourage them to collect rocks to bring back to the classroom.
2. Let them paint their rocks any color.
3. Encourage them to decorate their rocks by gluing on feathers, rickrack, and eyes.
4. Place them in the classroom garden for good luck.

★ Lisa Chichester, Parkersburg, WV